



# ECO GLASS HOUSE 84 m<sup>2</sup>

Self-sufficient Luxury Glass House  
for holiday rent or permanent living



Wood platform diameter 12 m, House floor diameter 8 m, Center height: 4.0m, construction Aluminum frame, Roof: double layered laminated tempered glass (5mm tempered glass + 0.76PVB + 5mm, tempered glass) Window: 2 pcs, Entrance: 1 set of single glass door, Wind load: 150km/h, Snow load: 0.5kn/m<sup>2</sup>, 2000 liter water reservoir or permanent cistern, biological sewage treatment plant, 6 KW solar electric system + wind turbine with batteries.

Producer: Jovan Eco House Architect: Blazej Ostrouch





# ECO GLASS HOUSE 84 m2

Self-sufficient Luxury Glass House  
for holiday rent or permanent living



Wood platform diameter 12 m, House floor diameter 8 m, Center height: 4.0m, construction Aluminum frame, Roof: double layered laminated tempered glass (5mm tempered glass + 0.76PVB + 5mm, tempered glass) Window: 2 pcs, Entrance: 1 set of single glass door, Wind load: 150km/h, Snow load: 0.5kn/m2, 2000 liter water reservoir or permanent cistern, biological sewage treatment plant, 6 KW solar electric system + wind turbine with batteries.

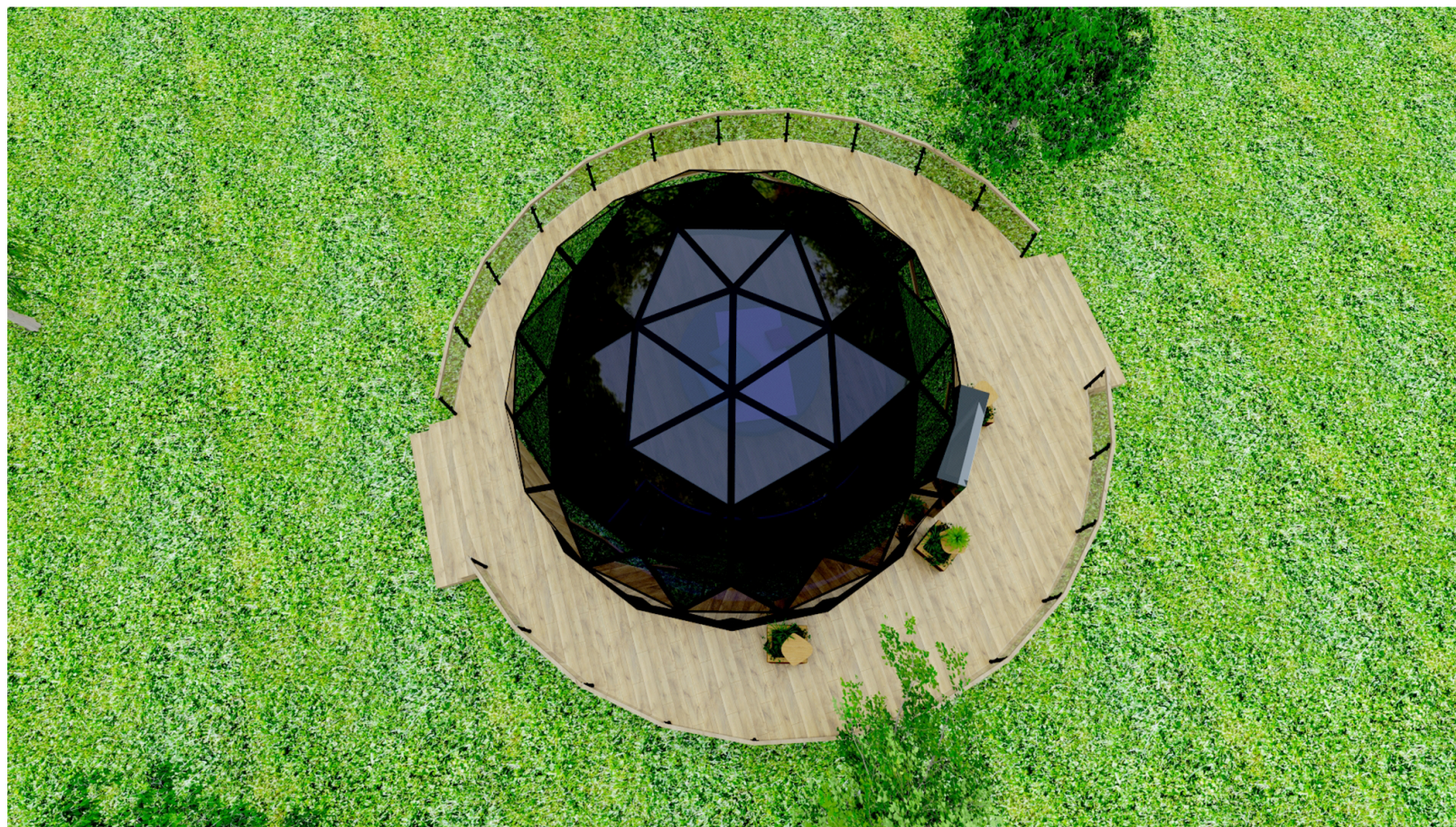
Producer: Jovan Eco House Architect: Blazej Ostrouch





# ECO GLASS HOUSE 84 m2

Self-sufficient Luxury Glass House  
for holiday rent or permanent living



Wood platform diameter 12 m, House floor diameter 8 m, Center height: 4.0m, construction Aluminum frame, Roof: double layered laminated tempered glass (5mm tempered glass + 0.76PVB + 5mm, tempered glass) Window: 2 pcs, Entrance: 1 set of single glass door, Wind load: 150km/h, Snow load: 0.5kn/m2, 2000 liter water reservoir or permanent cistern, biological sewage treatment plant, 6 KW solar electric system + wind turbine with batteries.

Producer: Jovan Eco House Architect: Blazej Ostrouch





# ECO GLASS HOUSE 84 m2

Self-sufficient Luxury Glass House  
for holiday rent or permanent living



Wood platform diameter 12 m, House floor diameter 8 m, Center height: 4.0m, construction Aluminum frame, Roof: double layered laminated tempered glass (5mm tempered glass + 0.76PVB + 5mm, tempered glass) Window: 2 pcs, Entrance: 1 set of single glass door, Wind load: 150km/h, Snow load: 0.5kn/m2, 2000 liter water reservoir or permanent cistern, biological sewage treatment plant, 6 KW solar electric system + wind turbine with batteries.

Producer: Jovan Eco House Architect: Blazej Ostrouch





# ECO GLASS HOUSE 84 m2

Self-sufficient Luxury Glass House  
for holiday rent or permanent living



Wood platform diameter 12 m, House floor diameter 8 m, Center height: 4.0m, construction Aluminum frame, Roof: double layered laminated tempered glass (5mm tempered glass + 0.76PVB + 5mm, tempered glass) Window: 2 pcs, Entrance: 1 set of single glass door, Wind load: 150km/h, Snow load: 0.5kn/m2, 2000 liter water reservoir or permanent cistern, biological sewage treatment plant, 6 KW solar electric system + wind turbine with batteries.

Producer: Jovan Eco House Architect: Blazej Ostrouch





# ECO GLASS HOUSE 84 m<sup>2</sup>

Self-sufficient Luxury Glass House  
for holiday rent or permanent living



Wood platform diameter 12 m, House floor diameter 8 m, Center height: 4.0m, construction Aluminum frame, Roof: double layered laminated tempered glass (5mm tempered glass + 0.76PVB + 5mm, tempered glass) Window: 2 pcs, Entrance: 1 set of single glass door, Wind load: 150km/h, Snow load: 0.5kn/m<sup>2</sup>, 2000 liter water reservoir or permanent cistern, biological sewage treatment plant, 6 KW solar electric system + wind turbine with batteries.

Producer: Jovan Eco House Architect: Blazej Ostrouch





# ECO GLASS HOUSE 84 m<sup>2</sup>

Self-sufficient Luxury Glass House  
for holiday rent or permanent living



Wood platform diameter 12 m, House floor diameter 8 m, Center height: 4.0m, construction Aluminum frame, Roof: double layered laminated tempered glass (5mm tempered glass + 0.76PVB + 5mm, tempered glass) Window: 2 pcs, Entrance: 1 set of single glass door, Wind load: 150km/h, Snow load: 0.5kn/m<sup>2</sup>, 2000 liter water reservoir or permanent connect, biological sewage treatment plant, 6 KW solar electric system + wind turbine with batteries.

Producer: Jovan Eco House Architect: Blazej Ostrouch





# ECO GLASS HOUSE 84 m2

Self-sufficient Luxury Glass House  
for holiday rent or permanent living



Wood platform diameter 12 m, House floor diameter 8 m, Center height: 4.0m, construction Aluminum frame, Roof: double layered laminated tempered glass (5mm tempered glass + 0.76PVB + 5mm, tempered glass) Window: 2 pcs, Entrance: 1 set of single glass door, Wind load: 150km/h, Snow load: 0.5kn/m2, 2000 liter water reservoir or permanent cistern, biological sewage treatment plant, 6 KW solar electric system + wind turbine with batteries.

Producer: Jovan Eco House Architect: Blazej Ostrouch





# ECO GLASS HOUSE 84 m<sup>2</sup>

Self-sufficient Luxury Glass House  
for holiday rent or permanent living



Wood platform diameter 12 m, House floor diameter 8 m, Center height: 4.0m, construction Aluminum frame, Roof: double layered laminated tempered glass (5mm tempered glass + 0.76PVB + 5mm, tempered glass) Window: 2 pcs, Entrance: 1 set of single glass door, Wind load: 150km/h, Snow load: 0.5kn/m<sup>2</sup>, 2000 liter water reservoir or permanent connect, biological sewage treatment plant, 6 KW solar electric system + wind turbine with batteries.

Producer: Jovan Eco House Architect: Blazej Ostrouch





# ECO GLASS HOUSE 84 m2

Self-sufficient Luxury Glass House  
for holiday rent or permanent living



Wood platform diameter 12 m, House floor diameter 8 m, Center height: 4.0m, construction Aluminum frame, Roof: double layered laminated tempered glass (5mm tempered glass + 0.76PVB + 5mm, tempered glass) Window: 2 pcs, Entrance: 1 set of single glass door, Wind load: 150km/h, Snow load: 0.5kn/m2, 2000 liter water reservoir or permanent cistern, biological sewage treatment plant, 6 KW solar electric system + wind turbine with batteries.

Producer: Jovan Eco House Architect: Blazej Ostrouch





# ECO GLASS HOUSE 84 m<sup>2</sup>

Self-sufficient Luxury Glass House  
for holiday rent or permanent living



Wood platform diameter 12 m, House floor diameter 8 m, Center height: 4.0m, construction Aluminum frame, Roof: double layered laminated tempered glass (5mm tempered glass + 0.76PVB + 5mm, tempered glass) Window: 2 pcs, Entrance: 1 set of single glass door, Wind load: 150km/h, Snow load: 0.5kn/m<sup>2</sup>, 2000 liter water reservoir or permanent connect, biological sewage treatment plant, 6 KW solar electric system + wind turbine with batteries.

Producer: Jovan Eco House Architect: Blazej Ostrouch





# ECO GLASS HOUSE 84 m<sup>2</sup>

Self-sufficient Luxury Glass House  
for holiday rent or permanent living



Wood platform diameter 12 m, House floor diameter 8 m, Center height: 4.0m, construction Aluminum frame, Roof: double layered laminated tempered glass (5mm tempered glass + 0.76PVB + 5mm, tempered glass) Window: 2 pcs, Entrance: 1 set of single glass door, Wind load: 150km/h, Snow load: 0.5kn/m<sup>2</sup>, 2000 liter water reservoir or permanent connect, biological sewage treatment plant, 6 KW solar electric system + wind turbine with batteries.

Producer: Jovan Eco House Architect: Blazej Ostrouch





# ECO GLASS HOUSE 84 m<sup>2</sup>

Self-sufficient Luxury Glass House  
for holiday rent or permanent living



Wood platform diameter 12 m, House floor diameter 8 m, Center height: 4.0m, construction Aluminum frame, Roof: double layered laminated tempered glass (5mm tempered glass + 0.76PVB + 5mm, tempered glass) Window: 2 pcs, Entrance: 1 set of single glass door, Wind load: 150km/h, Snow load: 0.5kn/m<sup>2</sup>, 2000 liter water reservoir or permanent connect, biological sewage treatment plant, 6 KW solar electric system + wind turbine with batteries.

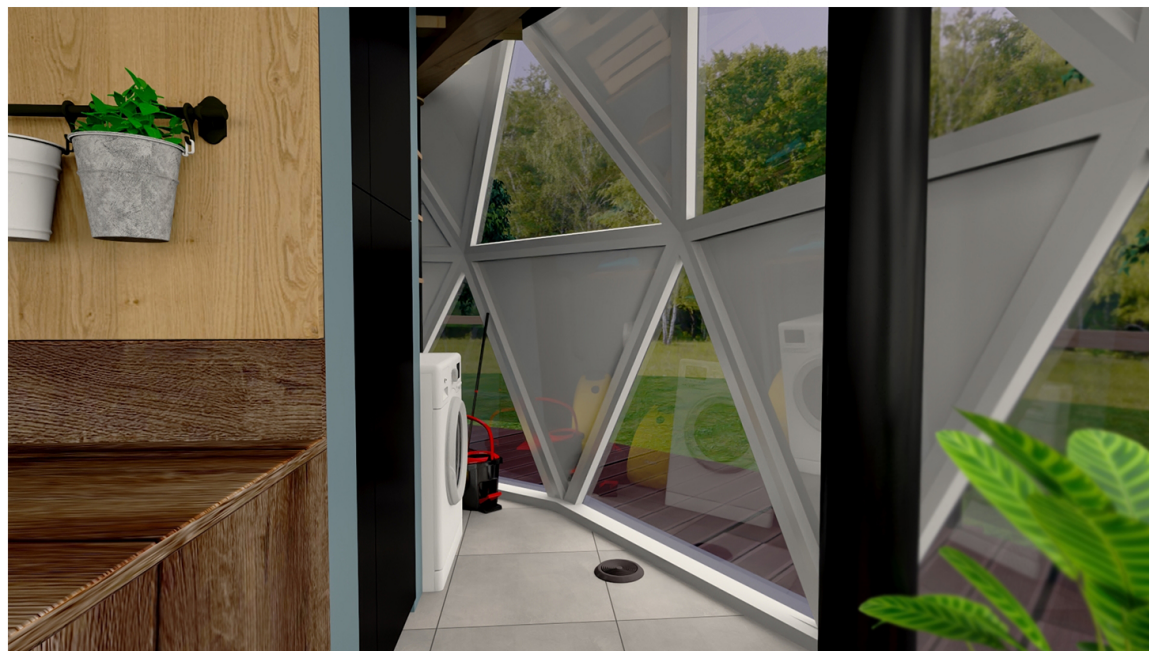
Producer: Jovan Eco House Architect: Blazej Ostrouch





# ECO GLASS HOUSE 84 m<sup>2</sup>

Self-sufficient Luxury Glass House  
for holiday rent or permanent living



Wood platform diameter 12 m, House floor diameter 8 m, Center height: 4.0m, construction Aluminum frame, Roof: double layered laminated tempered glass (5mm tempered glass + 0.76PVB + 5mm, tempered glass) Window: 2 pcs, Entrance: 1 set of single glass door, Wind load: 150km/h, Snow load: 0.5kn/m<sup>2</sup>, 2000 liter water reservoir or permanent connect, biological sewage treatment plant, 6 KW solar electric system + wind turbine with batteries.

Producer: Jovan Eco House Architect: Blazej Ostrouch





# ECO GLASS HOUSE 84 m<sup>2</sup>

Self-sufficient Luxury Glass House  
for holiday rent or permanent living



Wood platform diameter 12 m, House floor diameter 8 m, Center height: 4.0m, construction Aluminum frame, Roof: double layered laminated tempered glass (5mm tempered glass + 0.76PVB + 5mm, tempered glass) Window: 2 pcs, Entrance: 1 set of single glass door, Wind load: 150km/h, Snow load: 0.5kn/m<sup>2</sup>, 2000 liter water reservoir or permanent connect, biological sewage treatment plant, 6 KW solar electric system + wind turbine with batteries.

Producer: Jovan Eco House Architect: Blazej Ostrouch





# ECO GLASS HOUSE 84 m2

Self-sufficient Luxury Glass House  
for holiday rent or permanent living



Wood platform diameter 12 m, House floor diameter 8 m, Center height: 4.0m, construction Aluminum frame, Roof: double layered laminated tempered glass (5mm tempered glass + 0.76PVB + 5mm, tempered glass) Window: 2 pcs, Entrance: 1 set of single glass door, Wind load: 150km/h, Snow load: 0.5kn/m2, 2000 liter water reservoir or permanent connect, biological sewage treatment plant, 6 KW solar electric system + wind turbine with batteries.

Producer: Jovan Eco House Architect: Blazej Ostrouch





# ECO GLASS HOUSE 84 m<sup>2</sup>

Self-sufficient Luxury Glass House  
for holiday rent or permanent living



Wood platform diameter 12 m, House floor diameter 8 m, Center height: 4.0m, construction Aluminum frame, Roof: double layered laminated tempered glass (5mm tempered glass + 0.76PVB + 5mm, tempered glass) Window: 2 pcs, Entrance: 1 set of single glass door, Wind load: 150km/h, Snow load: 0.5kn/m<sup>2</sup>, 2000 liter water reservoir or permanent connect, biological sewage treatment plant, 6 KW solar electric system + wind turbine with batteries.

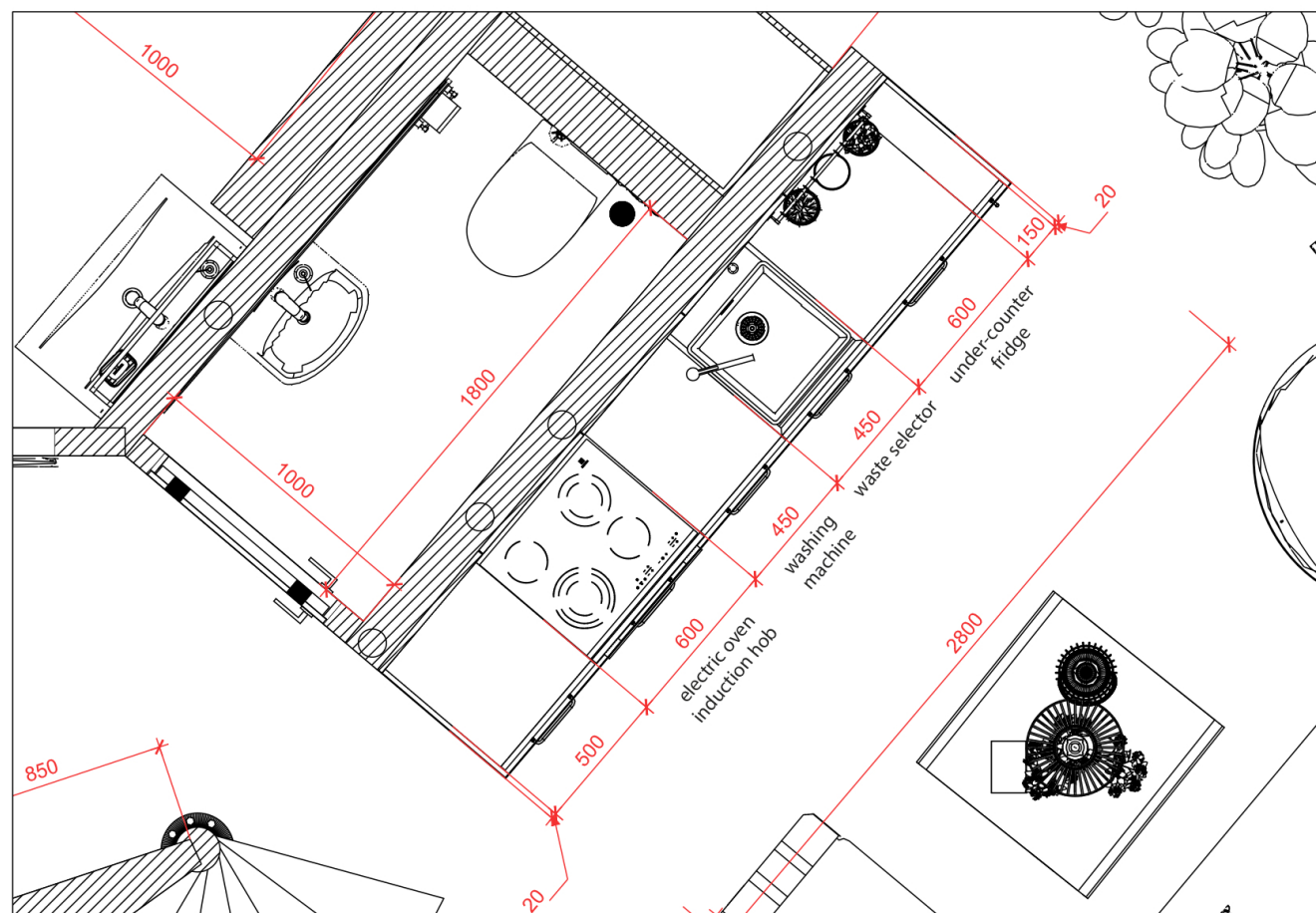
Producer: Jovan Eco House Architect: Blazej Ostrouch





# ECO GLASS HOUSE 84 m<sup>2</sup>

Self-sufficient Luxury Glass House  
for holiday rent or permanent living



Wood platform diameter 12 m, House floor diameter 8 m, Center height: 4.0m, construction Aluminum frame, Roof: double layered laminated tempered glass (5mm tempered glass + 0.76PVB + 5mm, tempered glass) Window: 2 pcs, Entrance: 1 set of single glass door, Wind load: 150km/h, Snow load: 0.5kn/m<sup>2</sup>, 2000 liter water reservoir or permanent cistern, biological sewage treatment plant, 6 KW solar electric system + wind turbine with batteries.

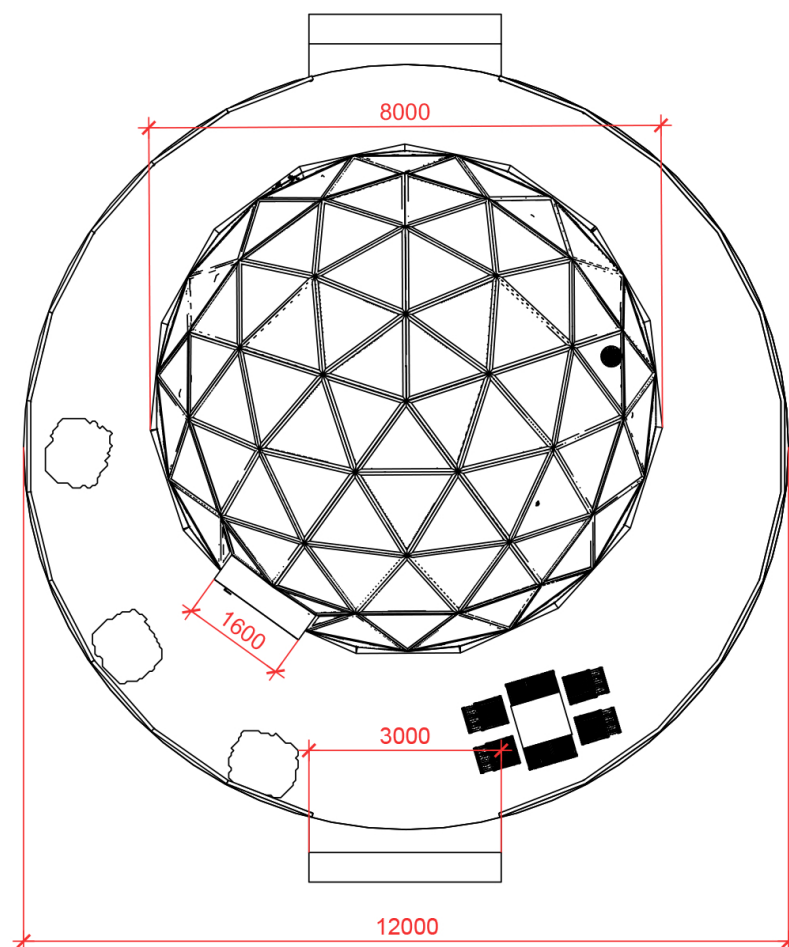
Producer: Jovan Eco House Architect: Blazej Ostrouch





# ECO GLASS HOUSE 84 m<sup>2</sup>

Self-sufficient Luxury Glass House  
for holiday rent or permanent living



Wood platform diameter 12 m, House floor diameter 8 m, Center height: 4.0m, construction Aluminum frame, Roof: double layered laminated tempered glass (5mm tempered glass + 0.76PVB + 5mm, tempered glass) Window: 2 pcs, Entrance: 1 set of single glass door, Wind load: 150km/h, Snow load: 0.5kn/m<sup>2</sup>, 2000 liter water reservoir or permanent cistern, biological sewage treatment plant, 6 KW solar electric system + wind turbine with batteries.

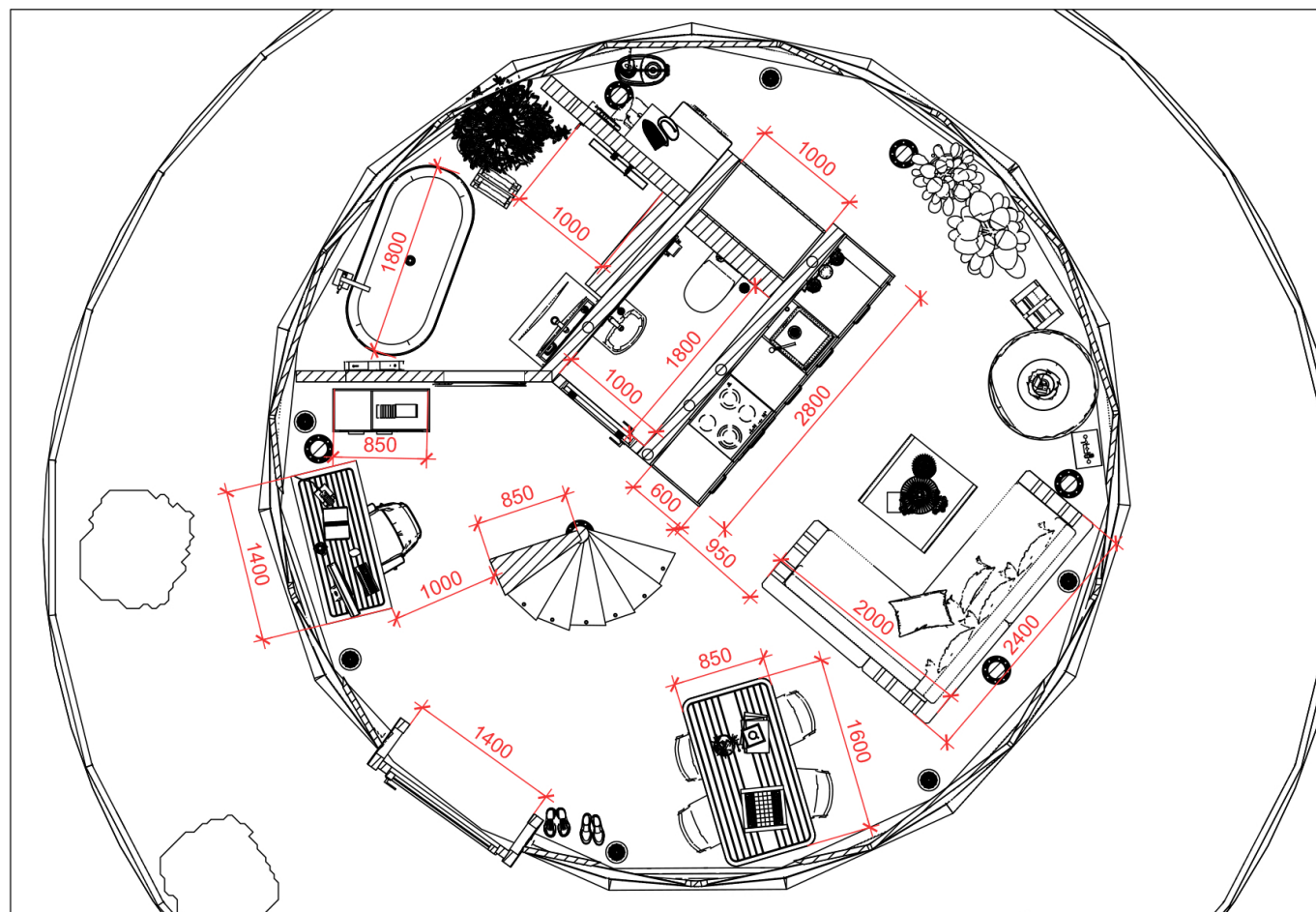
Producer: Jovan Eco House Architect: Blazej Ostrouch





# ECO GLASS HOUSE 84 m<sup>2</sup>

Self-sufficient Luxury Glass House  
for holiday rent or permanent living



Wood platform diameter 12 m, House floor diameter 8 m, Center height: 4.0m, construction Aluminum frame, Roof: double layered laminated tempered glass (5mm tempered glass + 0.76PVB + 5mm, tempered glass) Window: 2 pcs, Entrance: 1 set of single glass door, Wind load: 150km/h, Snow load: 0.5kn/m<sup>2</sup>, 2000 liter water reservoir or permanent cistern, biological sewage treatment plant, 6 KW solar electric system + wind turbine with batteries.

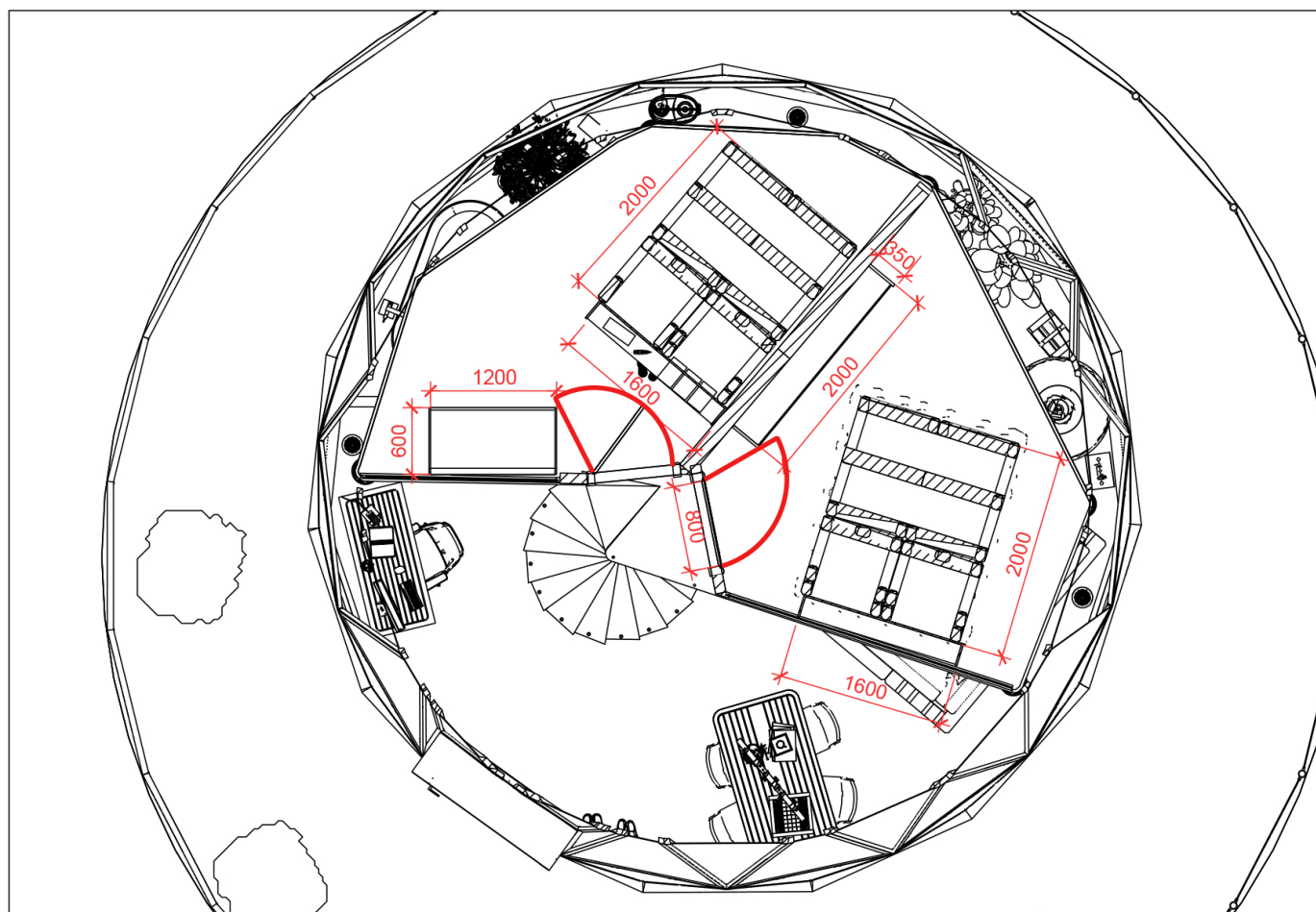
Producer: Jovan Eco House Architect: Blazej Ostrouch





# ECO GLASS HOUSE 84 m<sup>2</sup>

Self-sufficient Luxury Glass House  
for holiday rent or permanent living



Wood platform diameter 12 m, House floor diameter 8 m, Center height: 4.0m, construction Aluminum frame, Roof: double layered laminated tempered glass (5mm tempered glass + 0.76PVB + 5mm, tempered glass) Window: 2 pcs, Entrance: 1 set of single glass door, Wind load: 150km/h, Snow load: 0.5kn/m<sup>2</sup>, 2000 liter water reservoir or permanent cistern, biological sewage treatment plant, 6 KW solar electric system + wind turbine with batteries.

Producer: Jovan Eco House Architect: Blazej Ostrouch